

MULTIPLE DOOR CHECK VALVE

Multiple Door Check Valve is suitable for potable water, raw water and sewage application. It is used for large diameter pumping main with low velocity and severe backflow. The multiple doors design provide larger flow area than the bore area thus provide large body area to reduce the inertia to achieve non slam closure.



FEATURES

- Split bodies
- Free acting recoil type
- Non slam closure
- No requirement for external damping devices
- DN400-DN900 with 2 doors. DN1000 and larger with 3 doors.
- Gunmetal body seat ring and disc face
- Integral bypass can be supplied
- Support leg provided
- Epoxy Coated

DESIGN SPECIFICATIONS

- Size: 400 mm to 1600 mm
- Working Pressure: 6, 10, 16, 25 Bar
- Temperature Range: -10~80 °C
- Shell test: 1.5xPN
- Seat test: 1.1xPN
- All international flange connections and coating are available
- Options: Bypass

Materials

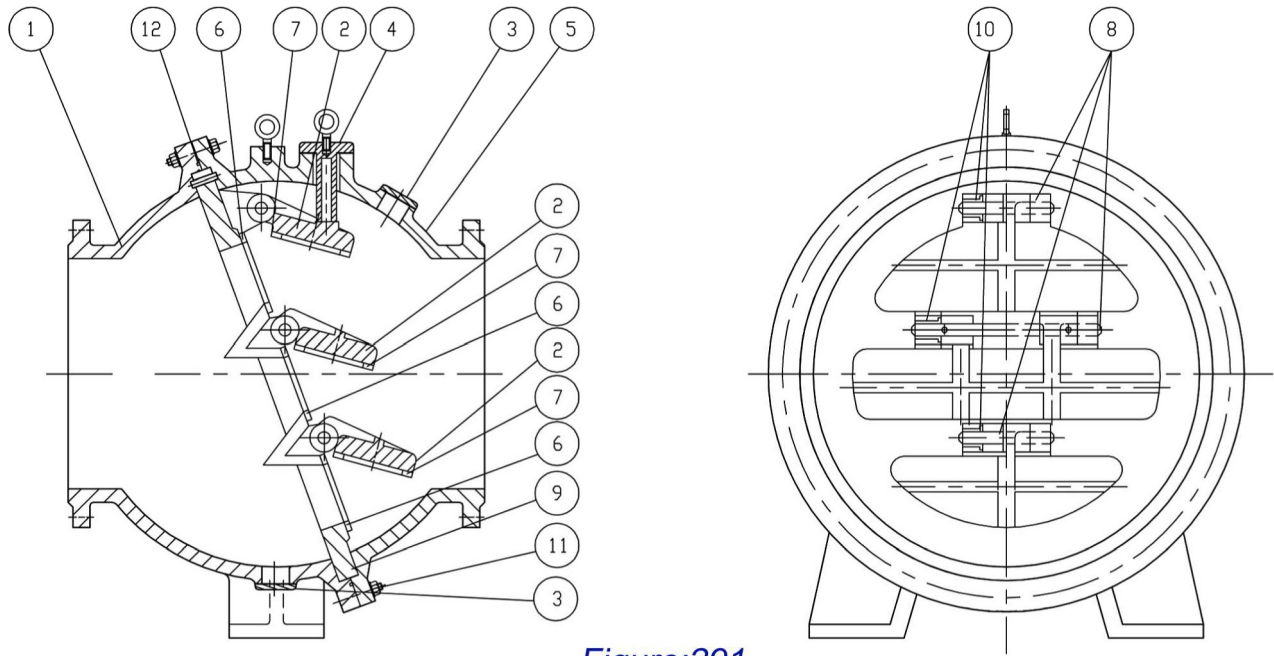
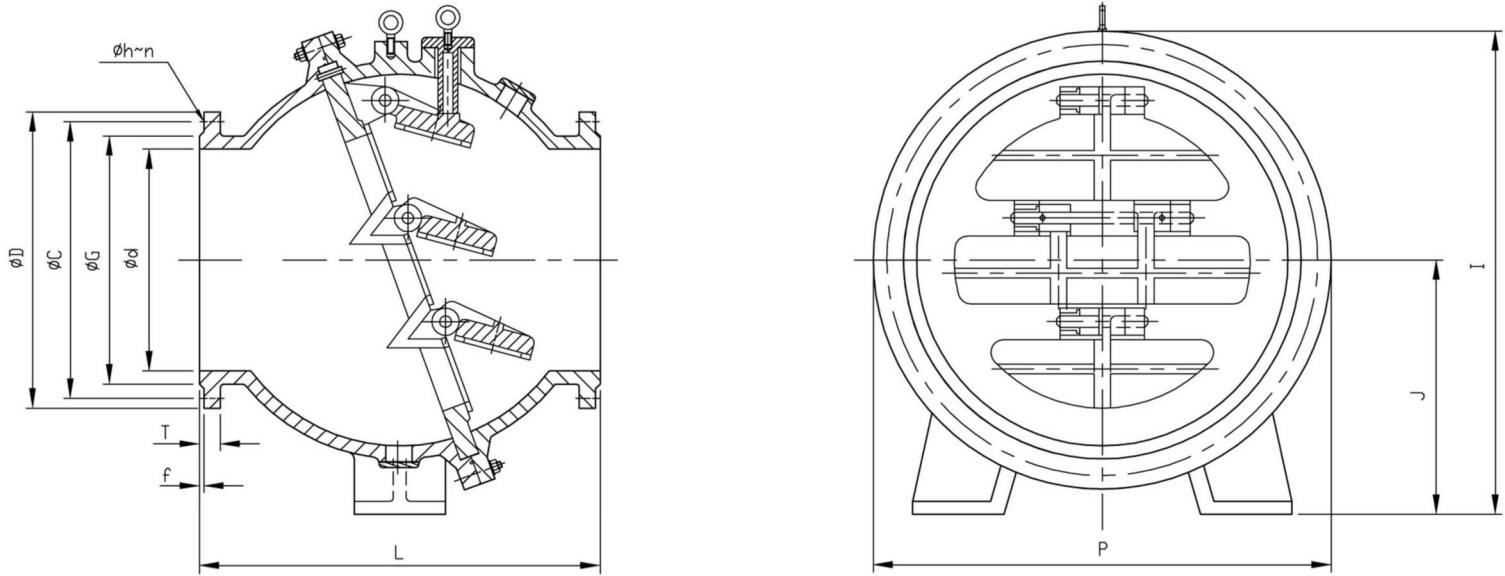


Figure:291

NO.	PARTS	MATERIALS	BS. SPEC.	ASTM. SPEC.	TIS. SPEC.
1	Body A	Ductile Iron	EN 1563-EN-GJS-500-7	A 536 Grade 65-45-12	TIS. 537(SGI 500)
2	Disc	Ductile Iron	EN 1563-EN-GJS-500-7	A 536 Grade 65-45-12	TIS. 537(SGI 500)
3	Cover	Ductile Iron	EN 1563-EN-GJS-500-7	A 536 Grade 65-45-12	TIS. 537(SGI 500)
4	Stopper	Ductile Iron	EN 1563-EN-GJS-500-7	A 536 Grade 65-45-12	TIS. 537(SGI 500)
5	Body B	Ductile Iron	EN 1563-EN-GJS-500-7	A 536 Grade 65-45-12	TIS. 537(SGI 500)
6	Body Seat Ring	Bronze/Gunmetal	EN1982-CC491K	B 62	-
7	Disc Seat Ring	Bronze/Gunmetal	EN1982-CC491K	B 62	-
8	Hinge Pin	Stainless Steel	Gr 1.4301,4401,4057, 4021	A 276 Type 304, 316,431,420	-
9	Plate Seat	Ductile Iron	EN 1563-EN-GJS-500-7	A 536 Grade 65-45-12	TIS. 537(SGI 500)
10	Bushing	Self Lubricated		-	
11	Body Bolt&Nut	Galvanized Steel	4190	A 307 Grade B	TIS. 171
12	O-Ring	Rubber (NBR)	EN 681-1	D 2000 BK 707	-
		Rubber (EPDM)	EN 681-1	D 2000 CA 707	-

www.scivalve.com

Dimensions



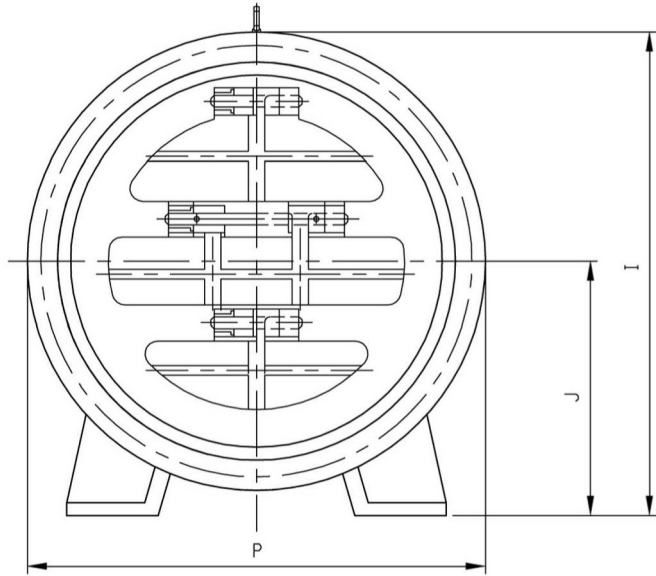
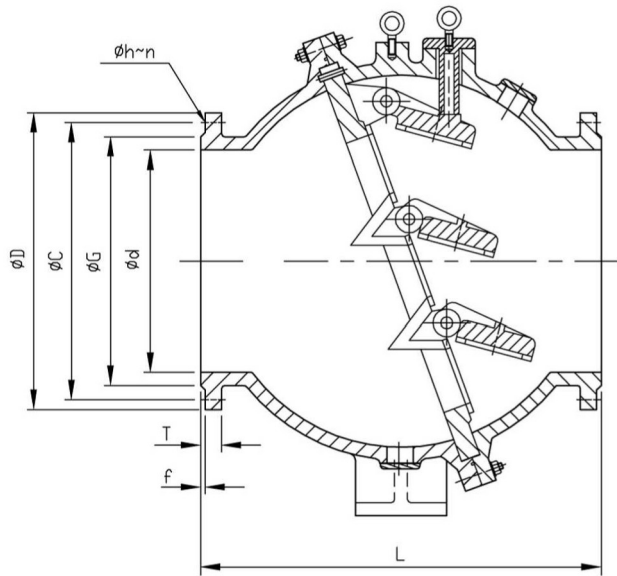
ANSI B16.5 CLASS 150,300

SIZE		L	FLANGED ANSI B16.5 CLASS 150 (INCH)							FLANGED ANSI B16.5 CLASS 300 (INCH)							I	J	P
mm	inch		ϕD	ϕC	ϕG	ϕh	n	T	f	ϕD	ϕC	ϕG	ϕh	n	T	f			
400	16	310	23.5	21.25	18.50	1.12	16	1.44	1/16	25.50	22.50	18.50	1.38	20	2.25	1/16	927	457	895
500	20	350	27.5	25	23	1.25	20	1.69	1/16	30.50	27	23	1.38	24	2.5	1/16	1125	530	1025
600	24	390	32	29.5	27.25	1.38	20	1.88	1/16	36	32	27.25	1.62	24	2.75	1/16	1270	670	1230
700	28	430	36.5	34	31.25	1.38	28	2.06	1/16								1406	735	1342
800	32	470	41.75	38.5	35.75	1.62	28	2.25	1/16								1508	780	1455
900	36	510	46	42.75	40.25	1.62	32	2.38	1/16								1800	930	1795
1000	42	550	53	49.5	47	1.62	36	2.62	1/16								1924	1000	1915

other size or pressure. please contact manufacturer.



Dimensions



BS EN1092-2 PN6,10,16

SIZE	L	FLANGED BS. EN1092-2 PN 6 ductile iron								FLANGED BS. EN1092-2 PN 10 ductile iron								FLANGED BS EN 1092-2 PN 16 ductile iron								I	J	P
Ød		ØD	ØC	ØG	Øh	n	T	f	ØD	ØC	ØG	Øh	n	T	f	ØD	ØC	ØG	Øh	n	T	f	I	J	P			
400	687	540	495	463	23	16	28	4	565	515	480	28	16	24.5	4	580	525	480	31	16	28	4	927	457	895			
500	787	645	600	568	23	20	30	4	670	620	582	28	20	26.5	4	715	650	609	34	20	31.5	4	1125	530	1025			
600	940	755	705	667	28	20	30	5	780	725	682	31	20	30	5	840	770	720	37	20	36	5	1270	670	1230			
700	1016	860	810	772	28	24	32	5	895	840	794	31	24	33	5	910	840	794	37	24	39.5	5	1406	735	1342			
800	1040	975	920	878	31	24	34	5	1015	950	901	34	24	35	5	1025	950	901	41	24	43	5	1508	780	1455			
900	1300	1075	1020	978	31	24	36	5	1115	1050	1001	34	28	37.5	5	1125	1050	1001	41	28	46.5	5	1800	930	1795			
1000	1400	1175	1120	1078	31	28	36	5	1230	1160	1112	37	28	40	5	1255	1170	1112	44	28	50	5	1924	1000	1915			
1200	1500	1405	1340	1295	34	32	40	5	1455	1380	1328	41	32	45	5	1485	1390	1328	50	32	57	5	2220	1160	2195			
1400	1700	1630	1560	1510	37	36	44	5	1675	1590	1530	44	36	46	5	1685	1590	1530	50	36	60	5	2435	1300	2425			
1600	2000	1830	1760	1710	37	40	48	5	1915	1820	1750	50	40	49	5	1930	1820	1750	57	40	65	5	2690	1400	2685			

other size or pressure. please contact manufacturer.

